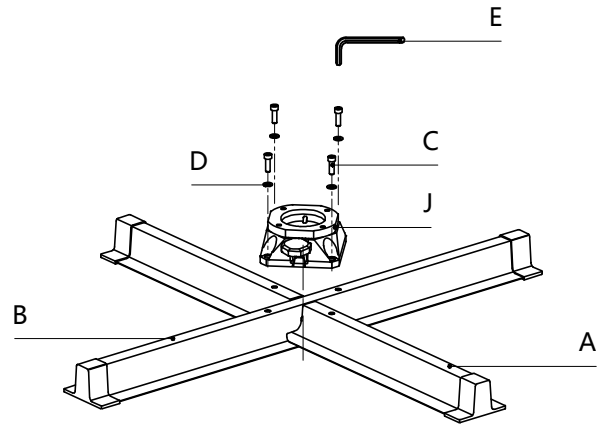
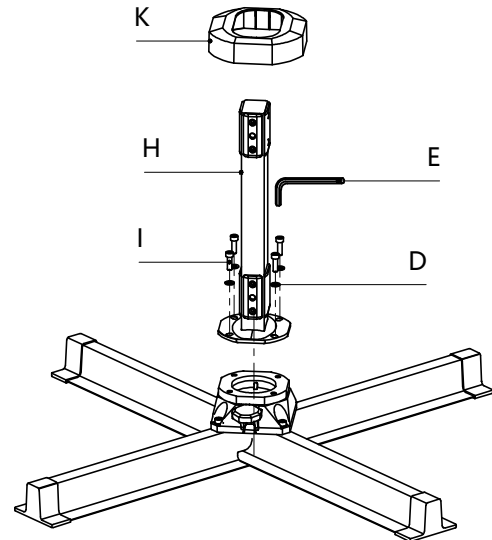


PART	PICTURE	QTY
A		1
B		1
C	(M8*25)	5
D	Ø8	9
E	(6mm)	1
F		1
G		1
H		1
I	(M8*20)	4
J		1
K		1

STEP:01



STEP:02



STEP:03

